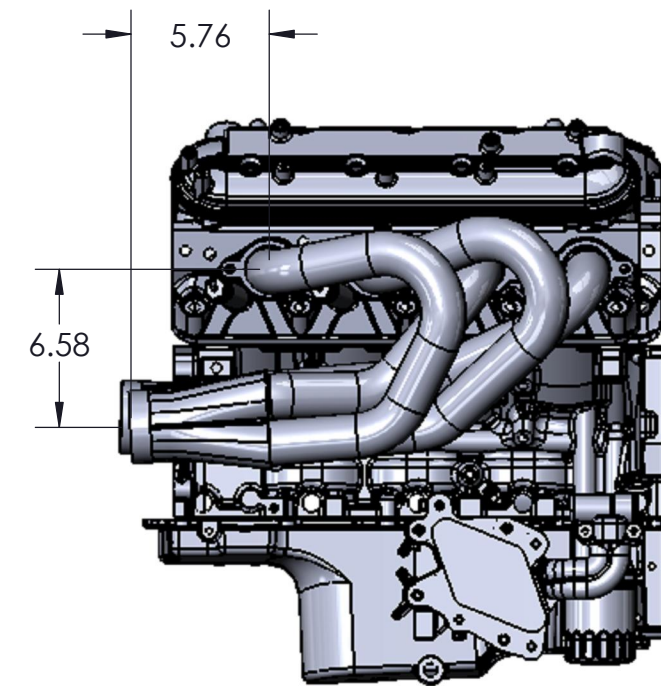
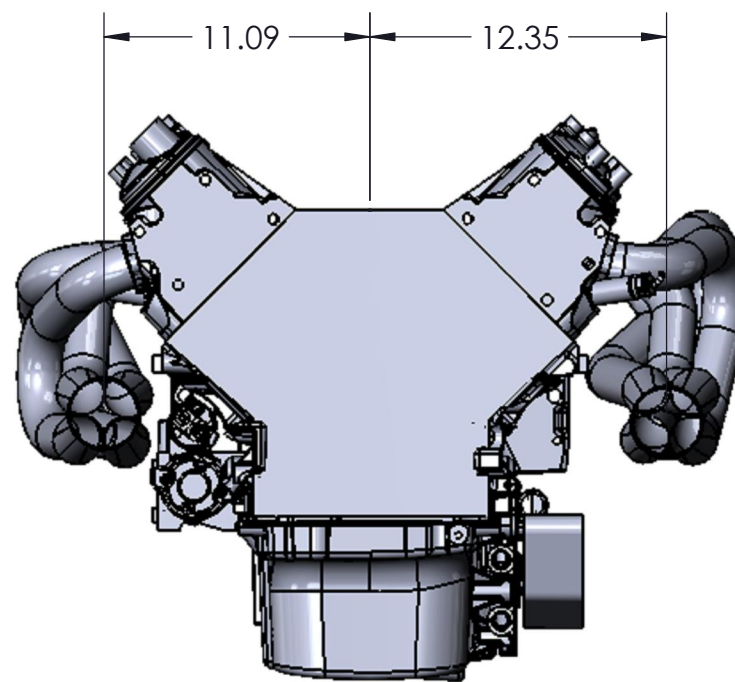
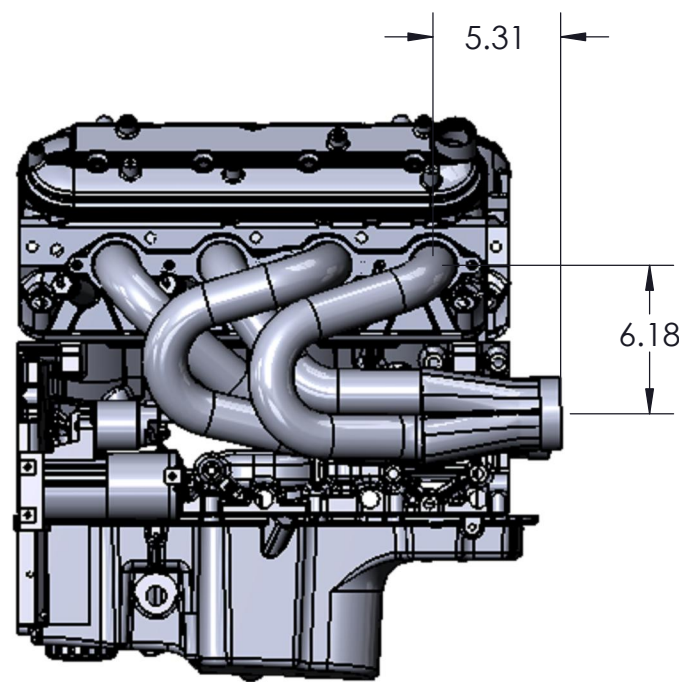



REVISION HISTORY			
REV	DESCRIPTION	DATE	APPROVED



Dimensioned from center of front port

	NAME	DATE	 141 Advantage Place Statesville, NC 28677
DRAWN	WPC	7-21-16	
CHECKED			
ENG APPR			
MGR APPR			TITLE Universal Downswept Swap Header
UNLESS OTHERWISE SPECIFIED: DIMENSIONS ARE IN INCHES ANGLES ±X.X° 2 PL ±X.XX 3 PL ±X.XXX			SIZE DWG NO REV B Univ Downswept Swap Header FILE NAME: Univ Downswept Swap Header.SLDDRW
SCALE scale		WEIGHT:	SHEET: 1